

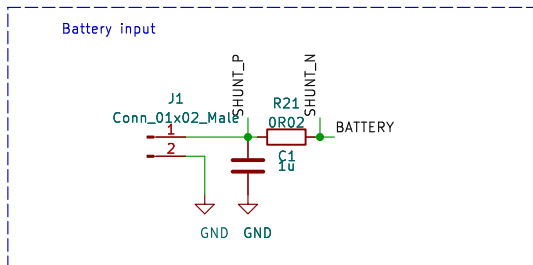
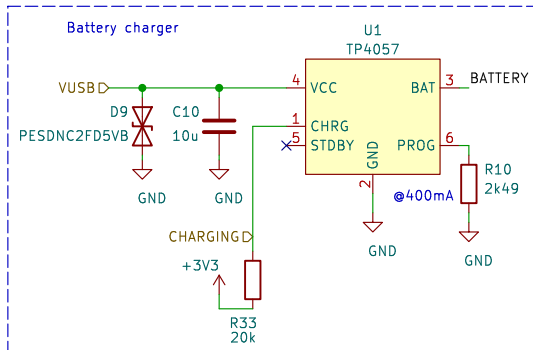
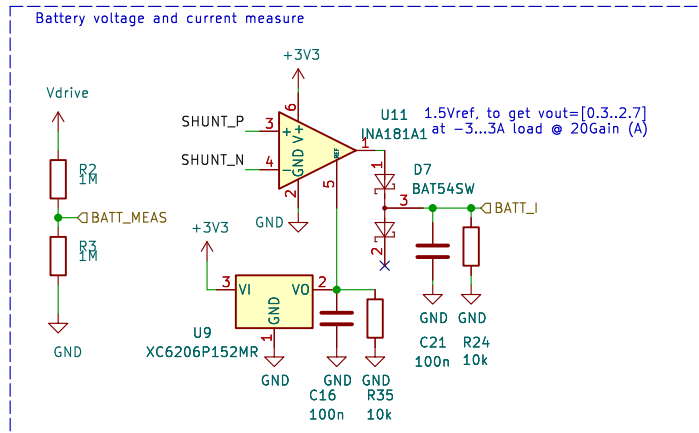
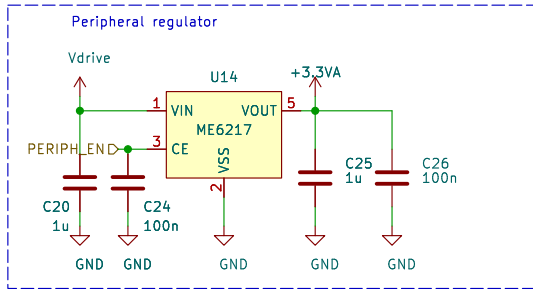
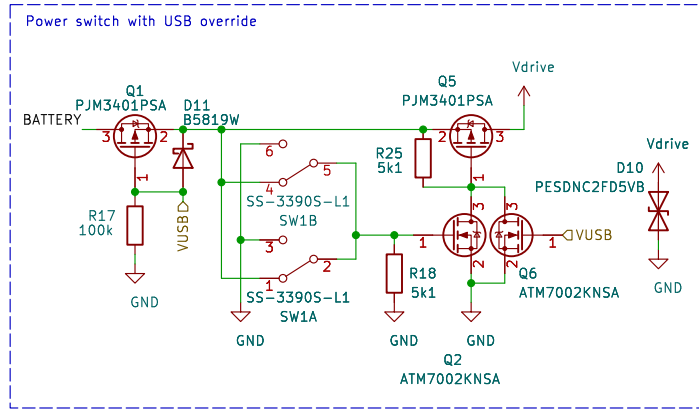
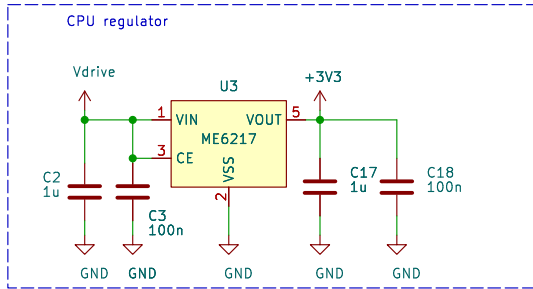
UAB Totem Technology


Sheet: /Motors/
File: motors.kicad_sch

Title: RoboBoard X3

Size: A4 Date: 2024-01-31
KiCad E.D.A. kicad 7.0.10

Rev: 3.1
Id: 2/3



	
UAB Totem Technology	
Sheet: /Power/	
File: power.kicad_sch	
Title: RoboBoard X3	
Size: A4	Date: 2024-01-31
KiCad E.D.A. kicad 7.0.10	Rev: 3.1
	Id: 3/3