

**UAB Totem Technology**

Sheet: /Motors/  
 File: motors.kicad\_sch

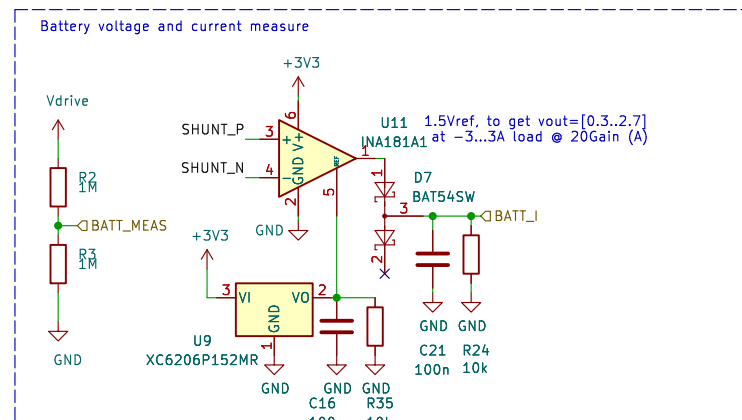
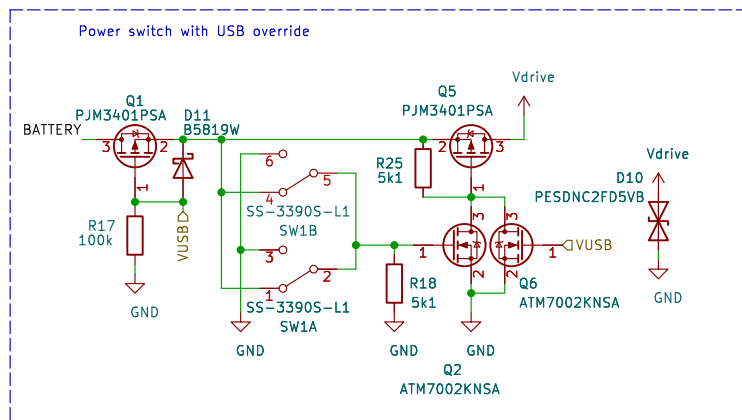
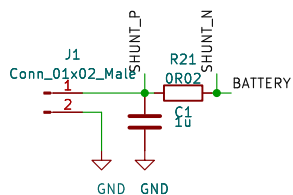
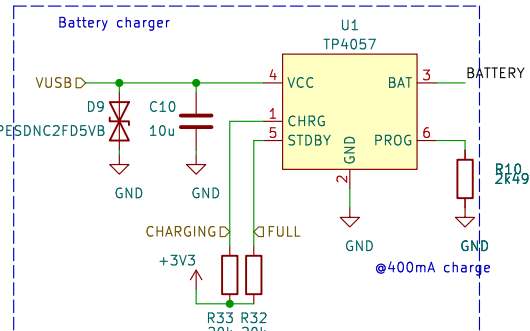
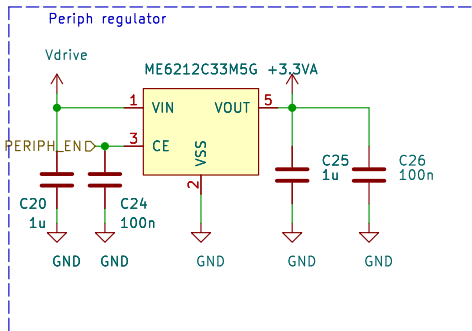
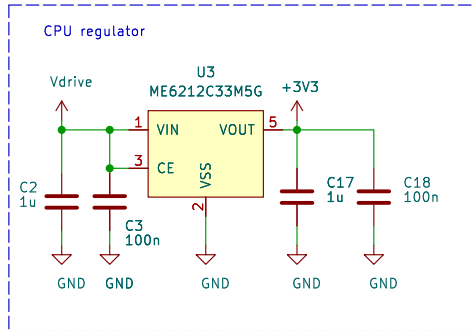
**Title: RoboBoard X3**

Size: A4 Date: 2023-07-21

KiCad E.D.A. kicad 7.0.5-0

**Rev: 3.0**

Id: 2/3



UAB Totem Technology

Sheet: /Power/  
File: power.kicad\_sch

Title: **RoboBoard X3**

Size: A4 Date: 2023-07-21

KiCad E.D.A. kicad 7.0.5-0

Rev: **3.0**

Id: 3/3

